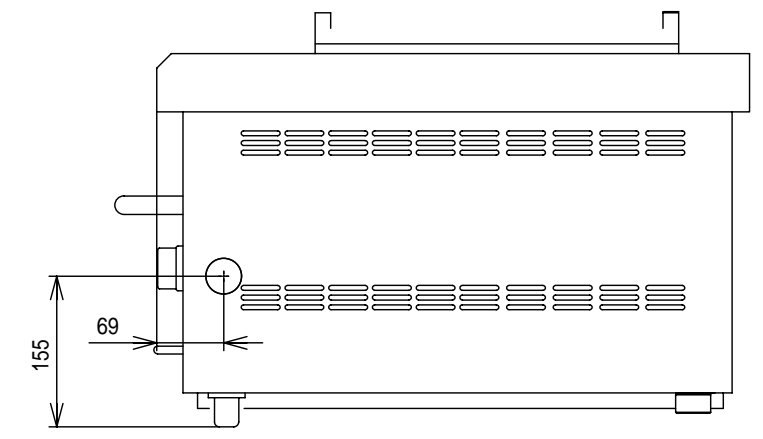
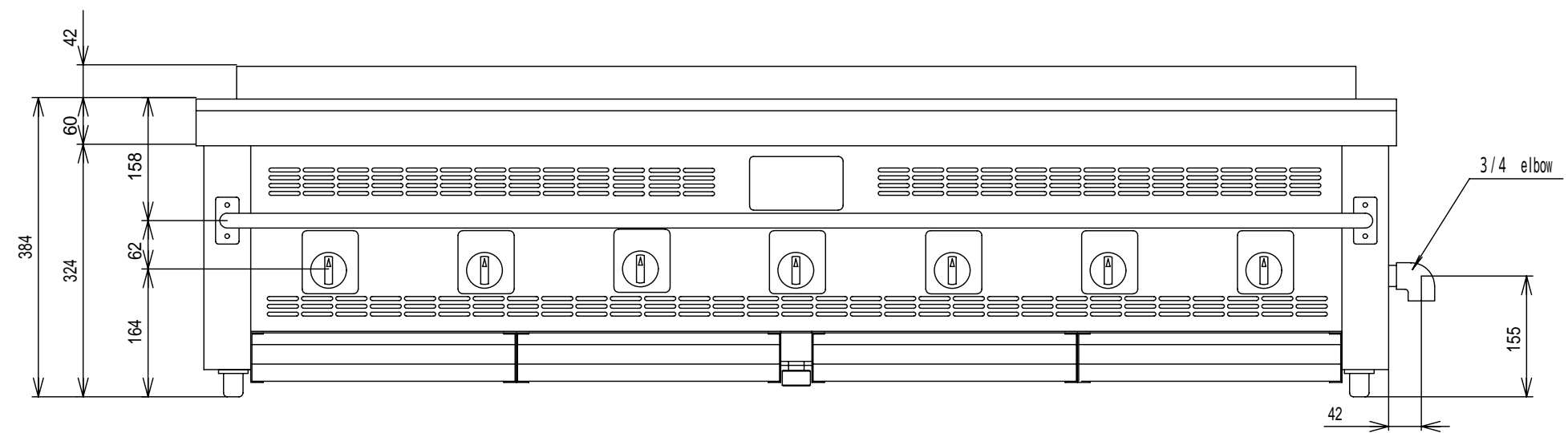
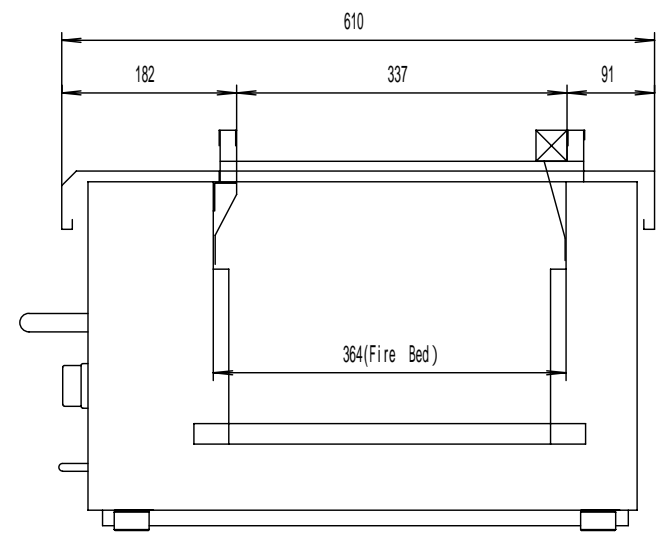


Name of Model	KA - 155 G		
Dimension (m/m)	Width	1,540	
	Length	610	
	Height	384	
Gas Consumption	Naturalgas	36.6 KW	
	L P G	36.6 KW	
Ignition	Piezo spark ignition		
Gas connection (Inside Dia.)	Naturalgas	3/4 elbow	
	L P G	3/4 elbow	
Weight (k g)	105K g		
Clearance from flammable materials (c m)	Around the griller	upper	hood
		side	20
		back	15
		front	_____
	Structure of a Floor	Structure of non-combustible	



Kosei Kogyou Co.

Name of Product :	Model				
Kosei Charcoal Griller	KA-155G type				