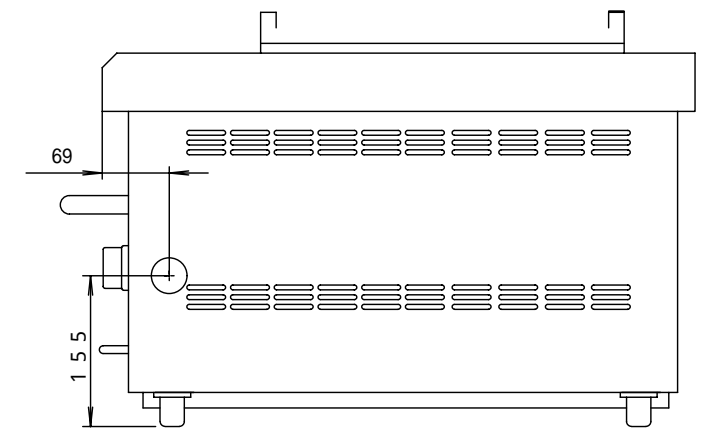
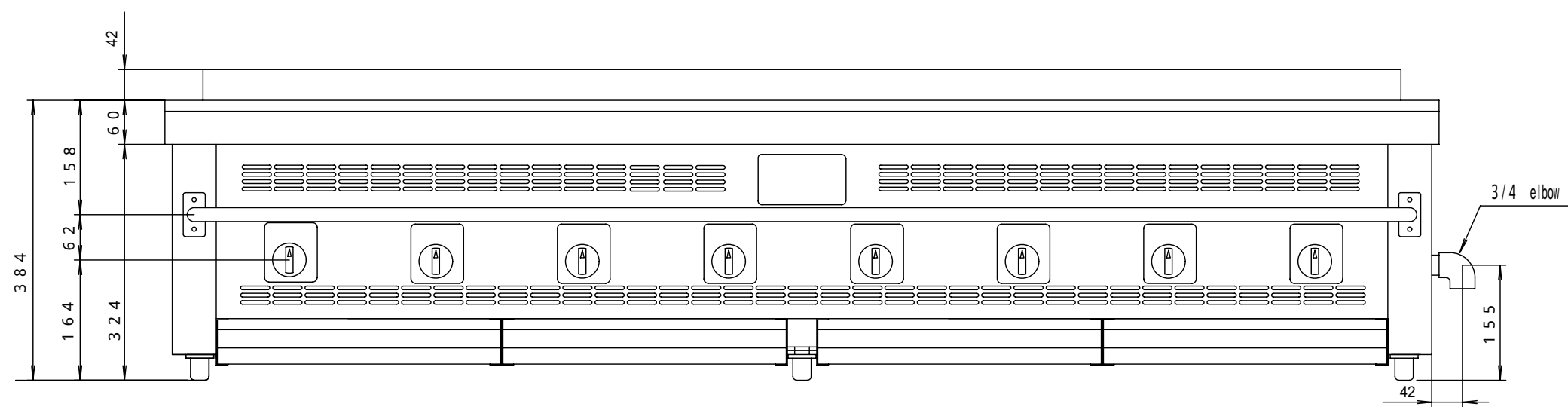
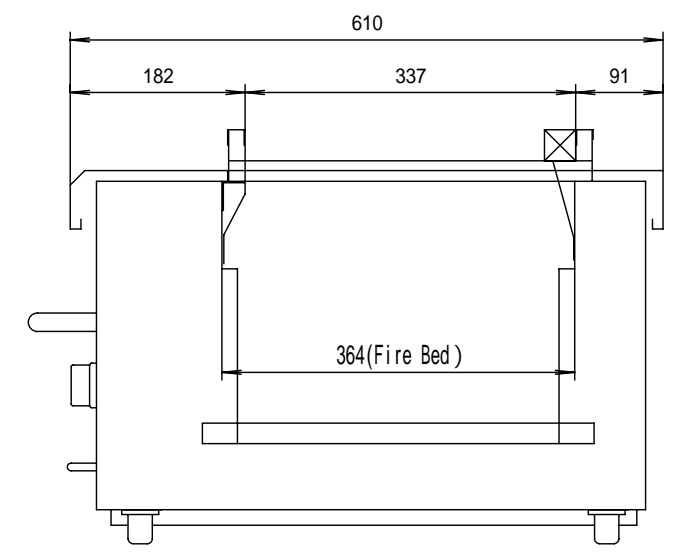


Name of Model	KA - 175 G		
Dimension (m/m)	Width	1,740	
	Length	610	
	Height	384	
Gas Consumption	Natural Gas	41.9 KW	
	L P G	41.9 KW	
Ignition	Piezo spark ignition		
Gas connection (Inside Dia.)	Natural Gas	3/4 elbow	
	L P G	3/4 elbow	
Weight (kg)	120 Kg		
Clearance from flammable materials (cm)	Around the griller	upper	hood
		side	20
		back	15
	front		
	Structure of a Floor	Structure of non-combustible	



Kosei Kogyou Co.	Name of Product :		Model			
	Kosei Charcoal Griller		KA-175G type			