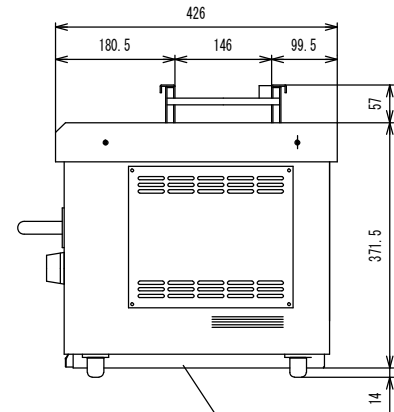
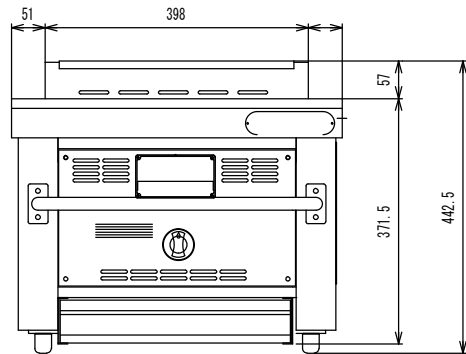


51



Dia. of Hose end: 13m/m dia. for Natural Gas, 9.5m/m dia. for LPG

Name of Model	KY-50KL		
Dimension (m/m)	Width	500	
	Length	426	
	Height	384	
Gas Consumption	Natural Gas	5.2KW	
	L P G	5.2KW	
Ignition	Piezo spark ignition		
Gas connection (Inside Dia)	Natural Gas	13m/m	
	L P G	9.5m/m	
Weight (k g)	50Kg		
Clearance from flammable materials (c m)	Around the grill	upper hood	
		side	20
		back	15
		front	
Structure of a Floor		Structure of non-combustible	

Kosei Kogyou Co.

Name of Product :

Kosei Charcoal Griller

Model

KY-50KL type